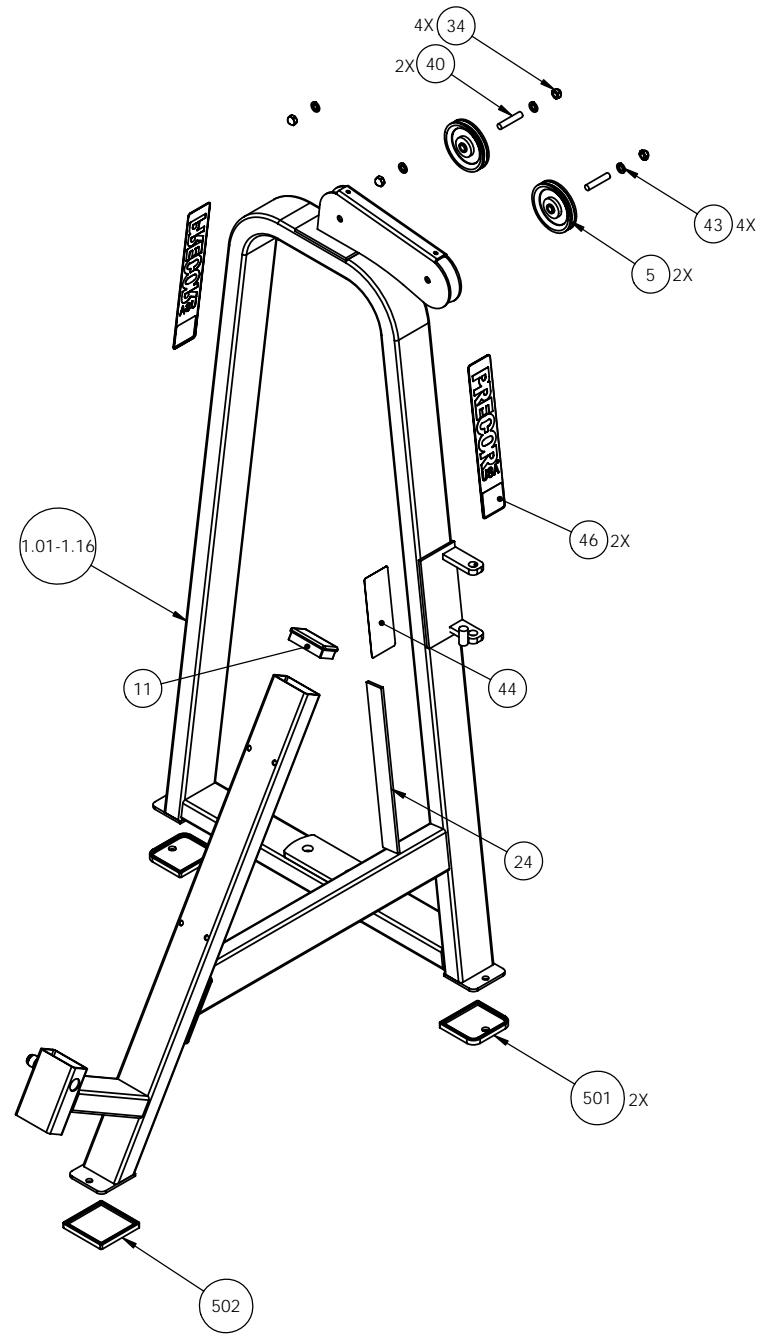
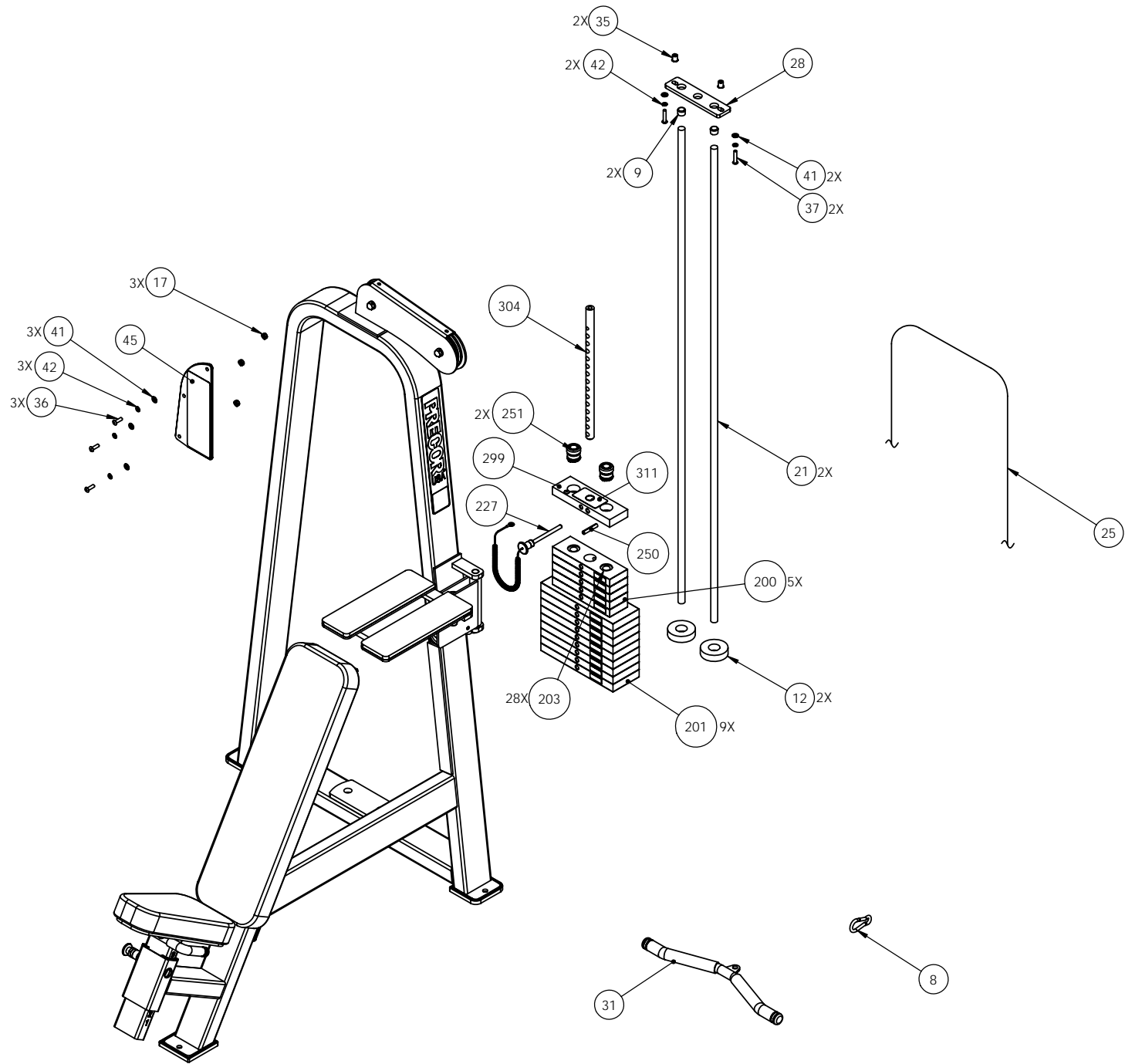


209	P/N : CW31513-101	SUBREV : B02
DRAWN BY : CT	DATE : 03.22.06	SHEET 1 OF 4



209	P/N : CW31513-101	SUBREV : B02
DRAWN BY : CT	DATE : 03.22.06	SHEET 2 OF 4



209	P/N : CW31513-101	SUBREV : B02
DRAWN BY : CT	DATE : 03.22.06	SHEET 4 OF 4

209 Tricep French Curl

Part Number	Description	Bubble Number
CW209SA1-211	ASSY,FRAME,MAIN,209,SKY WHITE	1.01
CW209SA1-321	ASSY,FRAME,MAIN,209,TITANIUM HG	1.12
CW30026-101	LABEL,INSTRUCTION,209	2
CWAC1001-101	LABEL,"ICARIAN", 1 1/2 X 8 1/8	3
CWAC1002-101	LABEL,"ICARIAN", 3 X 16 3/8	4
CWAC1009-101	PULLEY, 4 1/2 DIA X 1/2 ID	5
CWAC1010-101	PULLEY, 6 DIA X 1/2 ID	6
CW10043-133	BUSHING, BRONZE, 3/4" ID X 1" OD	7
CW12589-742	CARBINE, HOOK, LARGE, 3/8" DIA, 3 1	8
CW12404-101	CAP, GUIDE ROD,DIA 3/4, BLK	9
CW30165-752	ASSY, POP PIN, 0.450 DIA NOSE, BLU	10
CW11311-102	ENDCAP, REC TUBE, 2X4, BLK PLASTIC	11
CW12402-101	BUMPER, ID 1.050, BLK RUBBER	12
CW34822-101	LABEL,"ASSEMBLED IN THE USA"	13
CWAC1183-101	LABEL, WARNING, SERIOUS INJURY	15
CWAC1228-901	SPACER, ALU,.328 ID X .625 OD X .25	17
CW30007-101	PLACARD, CLEAR LEXAN, ANGLED	18
CWPF1216-711	GUIDE ROD,3/4 X (62 5/8), (#6), CHM	21
CW31670-711	ASSY, 209 SEAT SUPPORT, 9 HOLE, CHR	22
CW33593-101	ASSY, ABS BLACK, 1/4 X 1 3/4 X 16,	24
CWCLGK112-375	ASSY, CABLE, 209	25
CWPF1016-732	BAR,,FLAT CR/HR, 3/8 X 2 X 8 1/4, 3	28
CWPF1223-721	BAR,FLAT HR, 3/16 X 1 1/2 X (1 3/4)	29
CWPF1364-901	BAR,STEEL,RND,DIA.745"(71/2)	30
CW31591-731	HANDLE, TRICEP PUSHDOWN, BLACK ZINC	31
CWSA1097-721	ASSY, PULLEY HOUSING, W/FLAT LANDIN	32
CW30089-120	WEIGHT STACK,120 LBS,STP-S,5 X 05 L	33
CWKADLN050-081	NUT, ACORN, 1/2-13	34
CW12537-109	NUT,INSERT,THIN-NUT,LARGE FLANGE	35
CWTAYN031-100	SCREW, BUTTON HEAD, BLK XYLAN, 5/16	36
CWTAYN031-150	SCREW, BUTTON HEAD, BLK XYLAN, 5/16	37
CWTAYN031-300	SCREW, BUTTON HEAD, BLK XYLAN, 5/16	38
CWEANN031-050	SCREW,SET,SCKT,CUP POINT,5/16-18 X	39
CWBFNN050-250	STUD, 1/2-13 X 2 1/2	40
CWWBKN031-007	WASHER, FLAT, TYPE A, SAE, 5/16 ID	41
CWWALYN031-008	WASHER, SPLIT, 5/16 ID, BL	42
CWWALYN050-013	WASHER, SPLIT, 1/2 ID, BLK XYLAN	43
CW31756-101	LABEL, PRECOR USA ICARIAN LINE	46
CWAC1236-104	GUIDE INSERT, PLASTIC WITH HOLE, BL	100
CWAC220-901	HANDLE END CAP W/SET SCREWS, DIA 3/	101
CWGR4805-000	GRIP, RUBBER, .75" OD HANDLE, 5.00"	102
CWAC1133-101	BUSHING, WEIGHT PLATE, LDPE PLASTIC	203
CW33870-102	ASSEMBLY, 5" WEIGHT STACK PIN & LEA	227
CW30184-901	ASSY,BARREL,TOP PLATE,ALUMINUM,SHRT	251
CW10535-722	PLATE, WEIGHT, SMALLTOP (STP-S), 0	281
CW12537-109	NUT,INSERT,THIN-NUT,LARGE FLANGE	400
CWKAYN031-025	NUT,NYLOCK,HALF,5/16-18,BX	402
CWPF2308-721	BAR, FLAT 3/16 X 1 X (26 3/8), 4 BE	403

CWPF3143-211	SHROUD,SHEET,STEEL,4 BENDS, SKY WHI	404.01
CWPF3143-221	SHROUD,SHEET,STEEL,3/32 THICK,4 BEN	404.02
CWPF3143-231	SHROUD,SHEET,STEEL,3/32 THICK,4 BEN	404.03
CWPF3143-241	SHROUD,SHEET,STEEL,3/32 THICK,4 BEN	404.04
CWPF3143-251	SHROUD,SHEET,STEEL,3/32 THICK,4 BEN	404.05
CWPF3143-261	SHROUD,SHEET,STEEL,3/32 THICK,4 BEN	404.06
CWPF3143-271	SHROUD,SHEET,STEEL,3/32 THICK,4 BEN	404.07
CWPF3143-281	SHROUD,SHEET,STEEL,3/32 THICK,4 BEN	404.08
CWPF3143-291	SHROUD,SHEET,STEEL,3/32 THICK,4 BEN	404.09
CWPF3143-311	SHROUD,SHEET,STEEL,3/32 THICK,4 BEN	404.11
CWPF3143-321	SHROUD,SHEET,STEEL,4 BENDS, TITANIU	404.12
CWPF3143-331	SHROUD,SHEET,STEEL,3/32 THICK,4 BEN	404.13
CWPF3143-341	SHROUD,SHEET,STEEL,3/32 THICK,4 BEN	404.14
CWPF3143-351	SHROUD,SHEET,STEEL,3/32 THICK,4 BEN	404.15
CWPF3143-361	SHROUD,SHEET,STEEL,3/32 THICK,4 BEN	404.16
CWPF3143-711	SHROUD,SHEET,STEEL,3/32 THICK,4 BEN	404.17
CWPF3144-721	SHROUD BRKT,PLATE,STEEL,1/8 THICK,1	405
CWTAYN031-100	SCREW, BUTTON HEAD, BLK XYLAN, 5/16	406
CWWALYN031-008	WASHER, SPLIT, 5/16 ID, BL	407
CWWBKN031-007	WASHER, FLAT, TYPE A, SAE, 5/16 ID	408
CWAC1177-101	FLOOR PROTECTOR, RUBBER, 4.563 X 4.	501
CWAC1181-101	FLOOR PROTECTOR, RUBBER, 4.563 X 4.	502